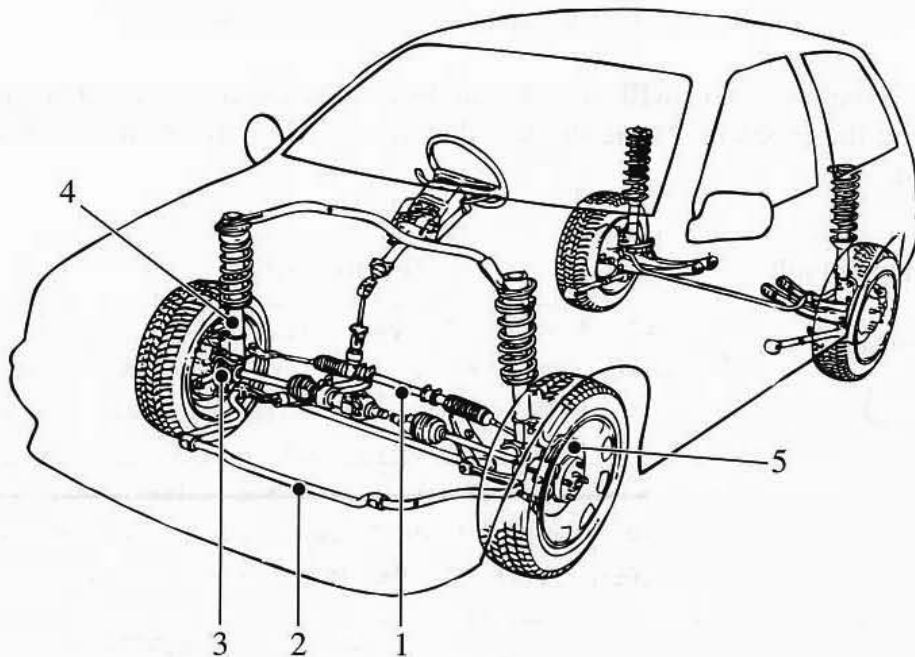


**Question 18 (8 marks)**



(a) Complete the table below, naming each numbered component and describing its function.

5

Name	Function
1. Rack & pinion steering	Turn the vehicle when the steering wheel is <del>used</del> turned by pushing or pulling the wheels inward or outward
2. Sway bar	keeps the vehicle stable when turning or at speeds
3. cv joint	<del>turn</del> connects the front wheels to the gearbox and drive shafts to turn the wheels so the vehicle moves forward or backward
4. Shock - absorber	absorbes shocks from the road this creates the ride of the vehicle to be smoother
5. Rim	boltes to the drive hubs <del>and</del> and has the wheels <del>on</del> on it with air in them so the vehicle moves

Question 18 continues on page 12

Question 18 (continued)

(b) A customer complains that the car battery is constantly running flat.

3

In the table below, list THREE possible faults in the charging system that could be causing the problem. Name the test that you would perform for each fault identified.

Possible fault	Test to perform
Alternator has failed	get a volt meter and put on the battery when engine is not running & it should show 11-12 volts then start the engine if it show 12-13 volts the Alternator is working
broken lead	run a new lead from the alternator to the battery and see if it is working properly if it is the lead had a break in it
battery has a collapsed cell	The battery may have a <del>collapsed</del> collapsed cell charge the battery out of the vehicle & test the next day if it goes flat the battery is no good

End of Question 18