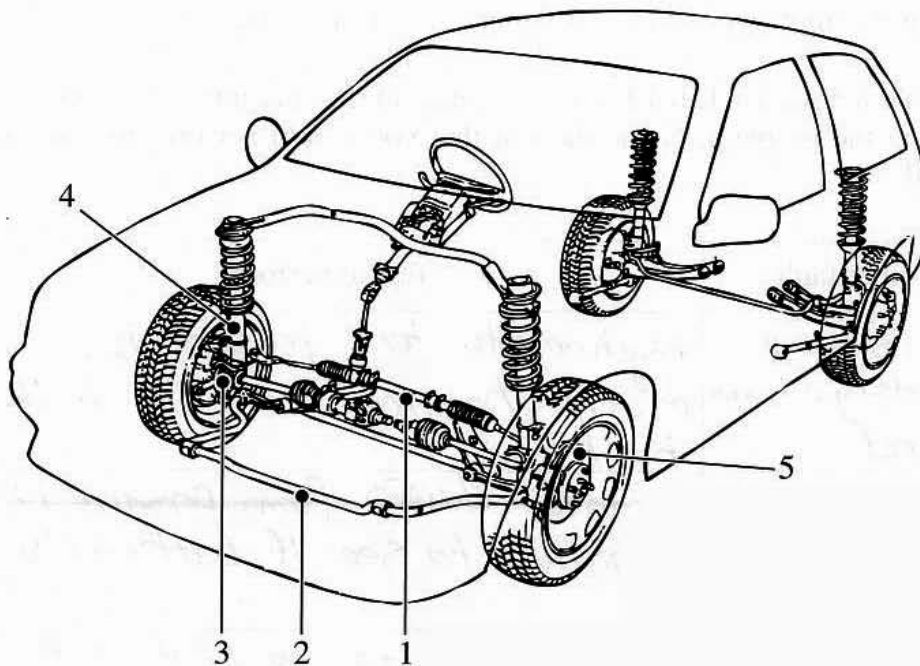


Question 18 (8 marks)



(a) Complete the table below, naming each numbered component and describing its function.

5

| Name | Function |
|--------------------|---|
| 1. Wheel alignment | to turn the steering from left to right when driving |
| 2. Sway bar | |
| 3. brake pads | When brake applied it rubs on to the part to slow it down. |
| 4. Suspension | give the car even weight when driving in case uneven and doesn't damage tyres over bumps. |
| 5. Disc brakes | helps the car to slow down when brake is applied |

Question 18 continues on page 12

Question 18 (continued)

- (b) A customer complains that the car battery is constantly running flat.

3

In the table below, list THREE possible faults in the charging system that could be causing the problem. Name the test that you would perform for each fault identified.

| Possible fault | Test to perform |
|---|---|
| the cells inside the battery all been rusted. | Hydrometer test to see how much charging power is in the battery. |
| Positive or negative has been damaged | Alligator clamps from positive to negative to see if battery charges |
| Positive or negative could be on wrong | Check battery to see the positive and negative symbol and then see if the leads are on right. |

End of Question 18